

Digital servo processor (DSIC2)**TDA1301T****FEATURES**

The DSIC2 realizes the following servo functions:

- Diode signal preprocessing
- Focus servo loop
- Radial servo loop
- Sledge motor servo loop
- Three-line serial interface via the microcontroller

The other features include:

- Full digital signal processing
- Low power consumption, down to 30 mW
- Low voltage supply 3 to 5.5 V
- Integrated analog-to-digital converters and digital servo loop filters
- Double speed possible
- Easy application
 - Single supply voltage
 - Small number of external components; only 6 decoupling capacitors
 - Flexible system oscillator circuitry
 - Usable for single/double Foucault and astigmatic focus
 - Full automatic radial error signal initialization offset control and level initialization for track position indicator
 - No external adjustments required; no component ageing
 - Wide range of adjustable servo characteristics
 - Simple 3-line serial command interface

- 28-pin SO package
- Great flexibility towards different CD mechanisms
- Full and transparent application information
- High robustness/shock insensitivity
 - Sophisticated track-loss (TL) detection mechanism
 - Fast focus restart procedure
 - Extended radial error signal
 - Adjustable radial shock detector
 - Defect drop-out detector
- Fully automatic jump procedure for radial servo
- Automatic focus start-up procedure and built-in FOK (Focus OK)
- Fast radial jump or access procedure
- Self-operational servo-control without continuous communication via the microcontroller
- Direct communication to photodiode optics; no external preprocessing.

GENERAL DESCRIPTION

The TDA1301T is a fully digital servo processor which has been designed to provide all servo functions, except the spindle motor control, in two-stage three-spot compact disc systems. The device offers a high degree of integration, combined with the low additional cost of external components. The servo characteristics have a wide range of adjustment via a three-line serial interface. This offers an enormous flexibility with respect to applications for different CD mechanisms. The circuit is optimized for low-power low-voltage applications.

QUICK REFERENCE DATA

SYMBOL	PARAMETER	CONDITIONS	MIN.	TYP.	MAX.	UNIT
V _{DDD}	digital supply voltage		3.0	–	5.5	V
V _{DDA}	analog supply voltage		3.0	–	5.5	V
I _{DDD}	digital supply current		–	5	–	mA
I _{DDA}	analog supply current		–	5	–	mA
I _{DDD(q)}	digital quiescent supply current		–	–	10	µA
I _{i(cd)}	central diode input currents (D1 to D4)	note 1	–	–	15.8	µA
I _{i(sd)}	satellite diode input currents (R1 and R2)	note 1	–	–	7.9	µA
P _{tot}	total power dissipation		–	50	–	mW
T _{amb}	operating ambient temperature		–40	–	+85	°C

Note

1. $f_{\text{sys}} = 4.2336 \text{ MHz}$; $V_{\text{RL}} = 0 \text{ V}$; $V_{\text{RH}} = 2.5 \text{ V}$ (externally applied).

Digital servo processor (DSIC2)

TDA1301T

ORDERING INFORMATION

EXTENDED TYPE NUMBER	PACKAGE			
	PINS	PIN POSITION	MATERIAL	CODE
TDA1301T	28	SO28L	plastic	SOT136A

BLOCK DIAGRAM

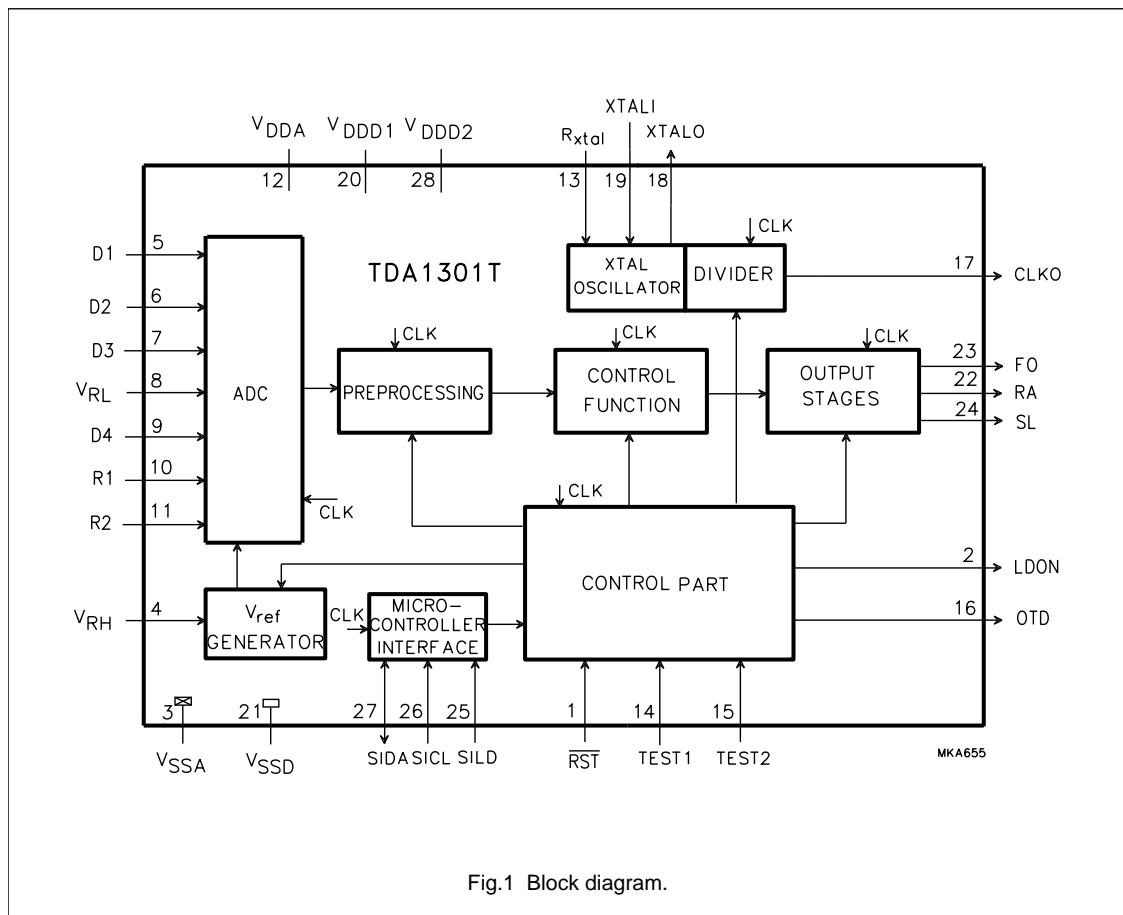


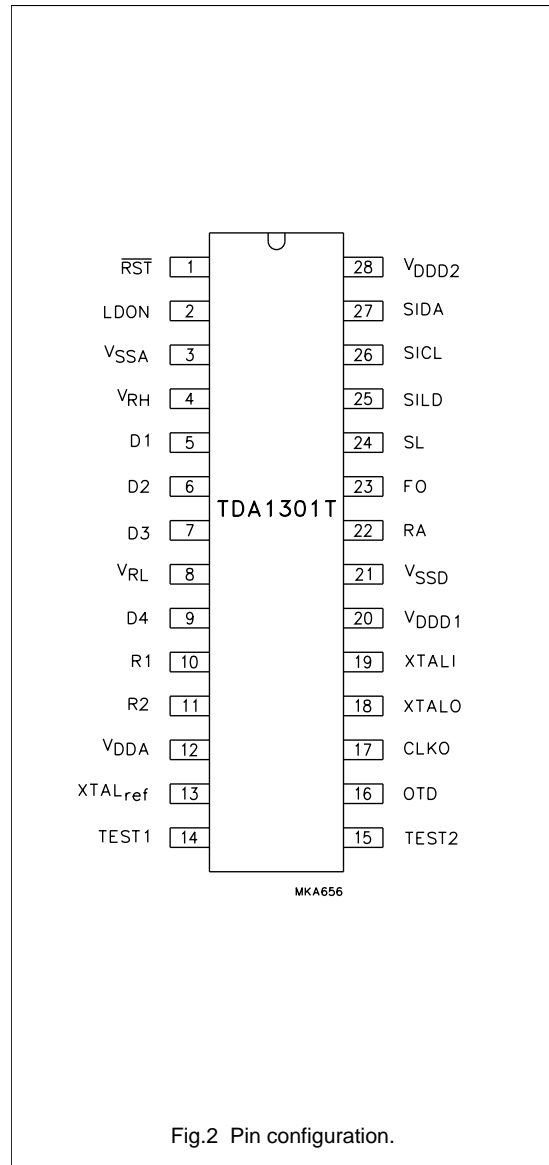
Fig.1 Block diagram.

Digital servo processor (DSIC2)

TDA1301T

PINNING

SYMBOL	PIN	DESCRIPTION
$\overline{\text{RST}}$	1	reset input (active LOW)
LDON	2	laser drive on output
V _{SSA}	3	analog ground
V _{RH}	4	reference input for reference voltage generator
D1	5	unipolar current input (central diode signal input)
D2	6	unipolar current input (central diode signal input)
D3	7	unipolar current input (central diode signal input)
V _{RL}	8	reference input for ADC
D4	9	unipolar current input (central diode signal input)
R1	10	unipolar current input (satellite diode signal input)
R2	11	unipolar current input (satellite diode signal input)
V _{DDA}	12	analog supply voltage
XTAL _{ref}	13	oscillator reference input
TEST1	14	test input 1
TEST2	15	test input 2
OTD	16	off-track detector output
CLKO	17	clock output
XTALO	18	oscillator output
XTALI	19	oscillator input
V _{DD1}	20	digital power supply 1
V _{SSD}	21	digital ground
RA	22	radial actuator output
FO	23	focus actuator output
SL	24	sledge output
SILD	25	serial interface load input
SICL	26	serial interface clock input
SIDA	27	serial interface data input/output
V _{DD2}	28	digital power supply 2



Digital servo processor (DSIC2)

TDA1301T

FUNCTIONAL DESCRIPTION

Three spots front-end

The photo detector in a two-stage three-spots compact disc system normally contains six discrete elements. Four of these elements (in the event of single Foucault: three elements) carry the central aperture (CA) signal while the other two elements (satellite signals) carry the radial tracking information. Besides the HF signal, which is finally applied to both of the audio channels, the central aperture also contains information for the focus servo loop. To enable the HF signal to be processed, the frequency contents of the central aperture signal must be divided into an HF data part and an LF servo part. The HF signal is processed outside the DSIC2 by the TDA1302 or a discrete amplifier-equalizer. The necessary crossover point, to extract the LF servo part, is compensated for in the amplifier.

Diode signal processing

The analog signals from the photo detectors are converted into a digital representation using analog-to-digital converters. The ADCs are designed to convert unipolar currents into a digital code. The dynamic range of the input currents is adjustable within a given range and is dependent on the ADC input reference voltages V_{RL} and V_{RH} . The maximum current for the central diodes signals is given in equation (1).

$$I_{i(max)} = f_{sys} \times (V_{RH} - V_{RL}) \times 1.5 \times 10^{-6} [\mu A] \quad (1)$$

The maximum current for the satellite signals is given in equation (2).

$$I_{i(max)} = f_{sys} \times (V_{RH} - V_{RL}) \times 0.75 \times 10^{-6} [\mu A] \quad (2)$$

V_{RH} is generated internally. There are four different levels (1.0, 1.5, 2.0 and 2.5 V) which can be selected under software control. In the application V_{RL} is connected to V_{SSA} . It is also possible to drive V_{RH} with an external voltage source but in this situation the internal voltage source has to be switched off (software controlled).

Signal conditioning

The digital codes retrieved from the ADCs are applied to logic circuitry to obtain the various control signals. The signals from the central aperture detectors are processed so that the normalized focus error signal (FE) given in equation (3) is realized:

$$FE_n = \frac{D1 - D2}{D1 + D2} - \frac{D3 - D4}{D3 + D4} \quad (3)$$

Where the detector set-up is assumed to be as illustrated in Fig.3.

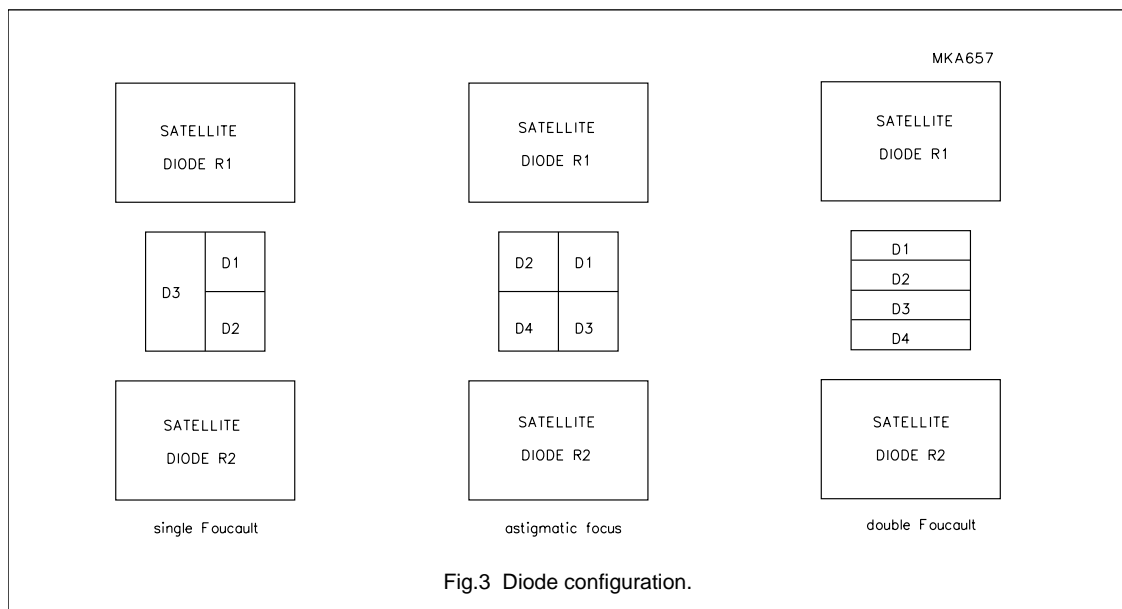


Fig.3 Diode configuration.

Digital servo processor (DSIC2)

TDA1301T

In the event of single Foucault focusing method, the DSIC2 signal conditioning can be switched under software control so that the signal processing conforms to that given in equation (4).

$$FE_n = 2 \times \frac{D1 - D2}{D1 + D2} \quad (4)$$

The FE_n thus obtained is further processed by a proportional integral and differential filter section (PID). A focus OK flag (FOK) is generated by means of the central aperture signal and an adjustable reference level. This signal is used to provide extra protection for the Track-Loss (TL) generation, the focus start-up procedure and the drop-out detection. The radial or tracking error signal is generated by the satellite detector signals R1 and R2. The radial error signal (RE) can be formulated as per equation (5).

$$RE_s = (R1 - R2) \times RE_gain + (R1 + R2) \times RE_offset \quad (5)$$

Where the index 's' indicates the automatic scaling operation which is performed on the radial error signal.

This scaling is necessary to avoid non-optimum dynamic range usage in the digital representation and, also, to reduce radial bandwidth spread. The radial error signal will also be released from offset during disc start-up. The four signals from the central aperture detectors, together with the satellite detector signals, generate a track position signal (TPI) which can be formulated as per equation (6).

$$TPI = \sin [(D1 + D2 + D3 + D4) - (R1 + R2) \times Sum_gain] \quad (6)$$

Where the weighting factor Sum_gain is generated internally in the DSIC2 during initialization.

Focus control

The following focus servo functions are incorporated in the DSIC2 digital controller.

FOCUS START-UP

Five initially loaded coefficients influence the start-up behaviour of the focus controller. The automatically generated triangular voltage can be influenced by 3 parameters, for the height (ramp_heighth) and DC-offset (ramp_offset) of the triangle and its steepness (ramp_inc). To protect against false focus point detections two parameters are available. One is an absolute level on the CA signal (CA_start) and the other is an absolute level on the FE_n signal (FE_start). When the CA_start level is

reached, the FOK signal becomes true. If the FOK signal is true when the level on the FE_n signal is reached the focus PID is enabled and switches on when the next zero crossing is detected in the FE_n signal.

FOCUS POSITION CONTROL LOOP

The focus control loop contains a digital PID controller which has 5 parameters available to the user. These coefficients influence the integrating (foc_int), proportional (foc_prop) and differentiating (foc_pole_lead) action of this PID and the digital low-pass filter (foc_pole_noise) which follows the PID. The fifth coefficient (foc_gain) influences the loop gain.

DROP-OUT DETECTION

This detector can be influenced by one parameter (CA_drop). The FOK signal will become false and the integrator of the PID will hold if the CA signal drops below the programmed absolute CA level. When the FOK signal becomes false it is assumed, initially, to be caused by a black dot.

FOCUS LOSS DETECTION AND FAST RESTART

Whenever FOK is false for longer than approximately 3 ms, it is assumed that the focus point is lost. A fast restart procedure is initiated which is capable of restarting the focus loop within 200 to 300 ms depending on the programmed coefficients set by the microcontroller.

FOCUS LOOP GAIN SWITCHING

The gain of the focus control loop (foc_gain) can be multiplied by a factor of 2 or divided by a factor of 2 during normal operation. The integrator value of the PID is corrected accordingly. The differentiating (foc_pole_lead) action of the PID can be switched at the same time as the gain switching is performed.

Radial control

The following radial servo functions are incorporated in the DSIC2 digital controller.

LEVEL INITIALIZATION

During start-up an automatic adjustment procedure is activated to set the values of the radial error gain (RE_gain), offset (RE_offset) and satellite sum signal gain (Sum_gain) for TPI level generation. The initialization procedure runs in a radial open-loop situation and is ≤ 300 ms. This start-up time period may coincide with the last part of the turn table motor start-up time period.

Digital servo processor (DSIC2)

TDA1301T

Automatic gain adjustment: as a result of this initialization the amplitude of the RE signal is adjusted within 10% around the nominal RE amplitude.

Offset adjustment: the additional offset in RE due to the limited accuracy of the start-up procedure is less than 50 nm.

TPI level generation: the accuracy of the initialization procedure is such that the duty cycle range of TPI becomes $0.4 < \delta < 0.6$ ($\delta = \text{TPI(HIGH)}/\text{TPI(Period)}$).

SLEDGE HOME

Sledge moves to reference position (end_stop_switch) at the inner side of the disc with user defined voltage.

TRACKING CONTROL

The actuator is controlled using a PID loop-filter with user defined coefficients and gain. For stable operation between the tracks, the S-curve is extended over $\frac{3}{4}$ track. Upon request from the microcontroller S-curve extension over 2 tracks is used, automatically changing to access control when these two tracks are exceeded.

Both modes of S-curve extension make use of a track-count mechanism as described in Section "Off-track counting". In this mode track counting results in automatic 'return-to-zero track', to avoid major music rhythm disturbances in the audio output to provide improved shock resistance. The sledge is continuously controlled using the filtered value of the integrator contents of the actuator, or upon request by the microcontroller. The microcontroller can read out this integrator value and provides the sledge with step pulses to reduce power consumption. Filter coefficients of the continuous sledge control can be preset by the user.

ACCESS

The access procedure is divided into 2 different modes, depending on the requested jump size.

The access procedure makes use of a track counting mechanism (see Section "Off-track counting"), a velocity signal based upon the number of tracks passed within a fixed time interval, a velocity setpoint calculated from the number of tracks to go and a user programmable parameter indicating the maximum sledge performance. If the number of tracks to go is greater than break_dist the sledge jump mode will be activated (otherwise the actuator jump will be performed). The requested jump size together with the required sledge braking distance at maximum access speed defines the value break_dist.

During the actuator jump mode, velocity control with a PI controller is used for the actuator.

The sledge is then continuously controlled using the filtered value of the integrator contents of the actuator. All filter parameters (for actuator and sledge) are user programmable.

In the sledge jump mode, maximum power (user programmable) is applied to the sledge in the correct direction, while the actuator becomes Idle (the contents of the actuator integrator leaks to zero just after the sledge jump mode is initiated).

Table 1 Access procedure.

ACCESS TYPE	JUMP SIZE	ACCESS SPEED
Actuator jump	1 – break distance ⁽¹⁾	decreasing velocity
Sledge jump	break ⁽¹⁾ – 32768	minimum power to sledge ⁽¹⁾

Note

1. Can be preset by the microcontroller.

Defect detector

A built-in defect detector prevents the light spot from going out-of-focus and going off-track due to disc drop-out excitations. The defect detector can be switched ON or OFF under software control and can be applied to the focus control only, or to both the focus and radial control. The detected defect signal holds the focus and radial loop filter outputs. The hold signal is generated whenever the reflected light intensity drops rapidly (<1.5 ms) down to 75% of the actual intensity level.

Shock detector

The shock detector can be switched ON during normal track following. The shock detector detects, within an adjustable frequency band, whether the disturbances in the radial spot position relative to the track exceeds an adjustable level. Every time the radial tracking error (RE) exceeds this level the radial control bandwidth is switched directly to twice the original bandwidth.

The shock detection level is adjustable in 64 steps from 0 to 100% of the nominal radial amplitude. The bandpass filter (BPF) lower frequency (-3 dB) can be fixed at 0 or 20 Hz. Independently, the BPF upper frequency (-3 dB) can be fixed at 750 or 1850 Hz.

Off-track counting

TPI is a flag which is used to indicate whether the spot is positioned on the track (with a margin of $\frac{1}{4}$ of the track-pitch).

Digital servo processor (DSIC2)

TDA1301T

In combination with the radial polarity flag (RP) the relative spot-position over the tracks can be determined. These signals are, however, affected with some uncertainties caused by:

- Disc defects such as scratches and fingerprints.
- The HF information on the disc, which is considered as noise by the detector signals.

In order to determine the spot position with sufficient accuracy, extra conditions are necessary to generate a TL signal as well as an off-track counter value. These extra conditions influence the maximum speed and this implies that, internally, one of the three following counting states is selected. These states are:

1. Protected state: used in normal play situations.
A good detection caused by disc defects is important in this state.
2. Slow counting state: used in low velocity track jump situations.
In this state a fast response is important rather than the protection against disc defects (if the phase relationship between TL and RP of a $\frac{1}{2}\pi$ rad is affected too much, the direction cannot be determined accurately any more).
3. Fast counting state: used in high velocity track jump situations.
Highest obtainable velocity is the most important feature in this state.

Off-track detection

During active radial tracking, off-track detection is realized by continuously monitoring the off-track counter value. The off-track flag (OTD) becomes valid whenever the off-track counter value is not equal to zero. Depending on the type of extended S-curve the off-track counter will be reset after $\frac{3}{4}$ extend or at the original track in the $2\frac{1}{4}$ track extend mode.

Output stages

The control signals for the different actuators are 1-bit noise shaped digital outputs at 1.0584 MHz. An analog representation of the output signals can be achieved by connecting a first-order low-pass filter to the outputs. When the $\overline{\text{RST}}$ pin is held LOW, the focus, radial and sledge output stages are 3-state.

Serial interface

To control the DSIC2 operation, a serial interface is implemented which allows communication with a microcontroller via a 3-line serial bus consisting of:

- Serial clock line (SICL)
- Serial data line (SIDA)
- Serial control line (SILD).

The SICL line is controlled by a microcontroller and can be completely asynchronous from the oscillator frequency of the DSIC2. The SILD line is used for read/write control and end-of-byte signalling.

The communication is bi-directional and processes 8-bit words (1 byte, MSB first). The data present on the SIDA line is clocked on the positive edge of SICL. One information exchange consists of one command byte and up to 7 data bytes.

The first byte defines the command, and is always input to the DSIC2. This byte defines if data has to be written to or read from the DSIC2. If data has to be written to the DSIC2 this byte also specifies the number of data bytes. The number of bytes read from the DSIC2 can vary from 0 up to 5 and only depends on how many the microprocessor requires to read. Further information concerning the serial protocol is available upon request.

Clock generation

The DSIC2 operates with an internal clock frequency of approximately 4 MHz. The circuit that generates the clock has three modes: the oscillator frequency divided by 2, 3 or 4 (software controlled). It is therefore possible to connect a crystal or a resonator with a frequency of 8.4672, 11.2896 or 16.9344 MHz. These frequencies are derived from today's frequently used decoder IC frequencies. It is also possible to drive the clock circuit with an external clock signal. The clock buffer output (CLKO) can supply the system clock or twice the system clock (also switchable under software control via the serial bus) to be used as a clock generator for other ICs. The oscillator circuit is optimized for low power dissipation. To guarantee optimum performance with a quartz crystal or a resonator the gain of the oscillator can be adjusted by an external resistor connected to the XTAL_{ref} input.

Reset

The reset is controlled by means of the $\overline{\text{RST}}$ pin (active LOW). This circuit ensures proper initialization of the digital circuit and the output stages.

Laser drive on

The LDON pin is used to switch the laser drive OFF and ON. It is an open-drain output. When the laser is ON, the output has a high impedance.

Digital servo processor (DSIC2)

TDA1301T

LIMITING VALUES

In accordance with the Absolute Maximum Rating System (IEC 134).

SYMBOL	PARAMETER	MIN.	MAX.	UNIT
V _{DDD}	digital supply voltage	0	6.5	V
V _{DDA}	analog supply voltage	0	6.5	V
ΔV_{SS}	difference in ground supply voltage between V _{SSA} and V _{SSD}	-5.0	+5.0	mV
P _{max}	maximum power dissipation	-	100	mW
T _{stg}	storage temperature	-65	+150	°C
T _{amb}	operating ambient temperature	-40	+85	°C

HANDLINGClassification A: human body model; C = 100 pF; R = 1500 Ω ; V \geq 2000 V.Charge device model: C = 200 pF; R = 0 Ω ; V \geq 250 V.

Pulse widths in accordance with "UZW-BO/FQ-A302 and B302" are applicable and can be found in the "Quality reference pocket-book" (ordering number 9398 510 34011).

THERMAL RESISTANCE

SYMBOL	PARAMETER	THERMAL RESISTANCE
R _{th j-a}	from junction to ambient in free air	80 K/W

Digital servo processor (DSIC2)

TDA1301T

CHARACTERISTICS $V_{DDD} = V_{DDA} = 5\text{ V}$; $V_{SSA} = V_{SSD} = 0\text{ V}$; $T_{amb} = 25\text{ °C}$; unless otherwise specified.

SYMBOL	PARAMETER	CONDITIONS	MIN.	TYP.	MAX.	UNIT
Supply						
V_{DDD}	digital supply voltage		3.0	–	5.5	V
V_{DDA}	analog supply voltage		3.0	–	5.5	V
I_{DDD}	digital supply current		–	5	–	mA
I_{DDA}	analog supply current		–	5	–	mA
$I_{DDD(q)}$	quiescent current		–	–	60	μA
P_{tot}	total power dissipation		–40	–	+85	$^{\circ}\text{C}$
Analog part						
$I_{i(cd)max}$	maximum input current for central diode input signal	note 1	–	15.8	–	μA
$I_{i(sd)max}$	maximum input current for satellite diode input signal	note 1	–	7.9	–	μA
V_{RH}	HIGH level reference voltage	note 2				
	output stage 1		0.9	1.0	1.1	V
	output stage 2		1.35	1.5	1.65	V
	output stage 3		1.8	2.0	2.2	V
	output stage 4		2.25	2.5	2.75	V
PSRR	power supply ripple rejection at pin 4	note 3	45	55	–	dB
V_{RH}	HIGH level reference voltage	input state; note 4	0.5	–	$V_{DDA} - 0.5$	V
V_{RL}	LOW level reference voltage		0	$V_{DDA} - 1.5$	–	V
(THD+N)/S	total harmonic distortion plus signal-to-noise ratio	at 0 dB; note 5	–	–50	–45	dB
S/N	signal-to-noise ratio		–	55	–	dB
PSRR	power supply ripple rejection at pin 12	note 3	–	45	–	dB
G_{tol}	gain tolerance	note 6	–10	–	+15	%
ΔG	variation of gain between channels		–	–	2	%
α_{cs}	channel separation		–	60	–	dB
Digital part						
INPUTS: TEST1, TEST2, SICL AND SILD						
V_{IL}	LOW level input voltage	$T_{amb} = -40\text{ to }+85\text{ °C}$	–	–	$0.3V_{DDD}$	V
V_{IH}	HIGH level input voltage	$T_{amb} = -40\text{ to }+85\text{ °C}$	$0.75V_{DDD}$	–	–	V
I_{LI}	input leakage current		–	–	10	μA
INPUT: NRST						
V_{IL}	LOW level input voltage	$T_{amb} = -40\text{ to }+85\text{ °C}$	–	–	$0.2V_{DDD}$	V
V_{IH}	HIGH level input voltage	$T_{amb} = -40\text{ to }+85\text{ °C}$	$0.8V_{DDD}$	–	–	V
I_{LI}	input leakage current		–	–	10	μA

Digital servo processor (DSIC2)

TDA1301T

SYMBOL	PARAMETER	CONDITIONS	MIN.	TYP.	MAX.	UNIT
OUTPUTS: CLKO AND OTD						
I_{OL}	LOW level output current	$V_{OL} = 0.4 \text{ V}$	1.6	–	–	mA
I_{OH}	HIGH level output current	$V_{OH} = V_{DD} - 0.4 \text{ V}$	1.3	–	–	mA
t_r	rise time	note 7	–	–	44	ns
t_f	fall time	note 7	–	–	40	ns
OUTPUT: LDON						
I_{OL}	LOW level output current	$V_{OL} = 0.4 \text{ V}$	3.3	–	–	mA
I_{OZ}	3-state output leakage current	$T_{amb} = -40 \text{ to } +85 \text{ }^\circ\text{C}$; $V_O = V_{SSD}/V_{DD}$	–	–	1.5	μA
t_r	rise time, LOW to 3-state	$C_L = 50 \text{ pF}$	–	–	37	ns
t_f	fall time, 3-state to LOW	$C_L = 50 \text{ pF}$	–	–	20	ns
OUTPUTS; RA, FO AND SL						
I_{OL}	LOW level output current	$V_{OL} = 0.4 \text{ V}$	3.3	–	–	mA
I_{OH}	HIGH level output current	$V_{OH} = V_{DD} - 0.4 \text{ V}$	1.8	–	–	mA
I_{OZ}	3-state output leakage current	$T_{amb} = -40 \text{ to } +85 \text{ }^\circ\text{C}$; $V_O = V_{SSD}/V_{DD}$	–	–	1.5	μA
t_r	rise time	note 7	–	–	37	ns
t_f	fall time	note 7	–	–	20	ns
INPUT/OUTPUT: SIDA						
V_{IL}	LOW level input voltage	$T_{amb} = -40 \text{ to } +85 \text{ }^\circ\text{C}$	–	–	$0.3V_{DD}$	V
V_{IH}	HIGH level input voltage	$T_{amb} = -40 \text{ to } +85 \text{ }^\circ\text{C}$	$0.75V_{DD}$	–	–	V
I_{OL}	LOW level output sink current	$V_{OL} = 0.4 \text{ V}$	3.3	–	–	mA
I_{OH}	HIGH level output source current	$V_{OH} = V_{DD} - 0.4 \text{ V}$	1.8	–	–	mA
I_{OZ}	3-state output leakage current	$T_{amb} = -40 \text{ to } +85 \text{ }^\circ\text{C}$; $V_O = V_{SSD} \text{ or } V_{DD}$	–	–	1.5	μA
t_r	rise time	note 7	–	–	37	ns
t_f	fall time	note 7	–	–	20	ns
OSCILLATOR						
f_{osc}	oscillator frequency		8	–	17	MHz
C_i	input capacitance		–	–	4	pF
C_o	output capacitance		–	–	4	pF
C_{fb}	feedback capacitance		–	–	3	pF
R_{xtal}	external oscillator reference resistor	note 8	25	–	100	k Ω
R_{ext}	external reference resistor	note 9	–	10	–	k Ω
$V_{19(p-p)}$	minimum input clock voltage level from external oscillator (peak-to-peak value)	AC-coupled; $R_{ext} = 10 \text{ k}\Omega$; $R_{bias} = 1 \text{ M}\Omega$ connected between pins 18 and 19	–	500	–	mV

Digital servo processor (DSIC2)

TDA1301T

SYMBOL	PARAMETER	CONDITIONS	MIN.	TYP.	MAX.	UNIT
Slave clock mode: XTALI						
V _{IL}	LOW level input voltage		–	–	0.5	V
V _{IH}	HIGH level input voltage		2.0	–	–	V
t _H	HIGH level input time	relative to the clock period	45	–	55	%

Notes

1. $f_{\text{sys}} = 4.2336 \text{ MHz}$; $V_{\text{RL}} = 0 \text{ V}$; $V_{\text{RH}} = 2.5 \text{ V}$ (externally applied).
2. Internal reference source with 4 different output voltages. Selection is achieved via the serial interface. The given values are for an unloaded reference voltage.
3. $f_{\text{ripple}} = 1 \text{ kHz}$; $V_{\text{ripple}} = 0.5 \text{ V (p-p)}$.
4. Internal reference is switched OFF by serial interface. V_{RH} is the reference input.
5. Externally applied $V_{\text{RH}} = 2.5 \text{ V}$ and $V_{\text{RL}} = 0 \text{ V}$, measuring bandwidth: 200 Hz to 20 kHz, $f_{i(\text{ADC})} = 1 \text{ kHz}$.
6. The gain of the ADC is defined as: $G_{\text{ADC}} = f_{\text{sys}}/I_{\text{max}}$ (counts/mA). Thus the digital output is $I_1 \times G_{\text{ADC}}$ where: digital output is the number of pulses at the digital output in counts per second and I_1 is the DC input current in mA.
The maximum input current depends on the system frequency (f_{sys}) and on $V_{\text{ref}} = V_{\text{RH}} - V_{\text{RL}}$
For D1 to D4: $I_{i(\text{max})} = 1.5 \times f_{\text{sys}} \times V_{\text{ref}} \times 10^{-6}/R_i \times f_{\text{sys}} [\mu\text{A}]$.
For R1 and R2: $I_{i(\text{max})} = 0.75 \times f_{\text{sys}} \times V_{\text{ref}} \times 10^{-6}/R_i \times f_{\text{sys}} [\mu\text{A}]$.
The gain tolerance is the deviation from the calculated gain regarding note 1.
7. At 10 to 90% levels with $C_L = 50 \text{ pF}$.
8. A resistor must be connected to set the gain of the oscillator circuit. The value of the resistor depends on the crystal or resonator connected to the oscillator circuit (see also Chapter "Application information").
9. When the TDA1301T is supplied by an external oscillator frequency, no crystal or resonator is required while the external reference resistor has different limits.

Digital servo processor (DSIC2)

TDA1301T

APPLICATION INFORMATION

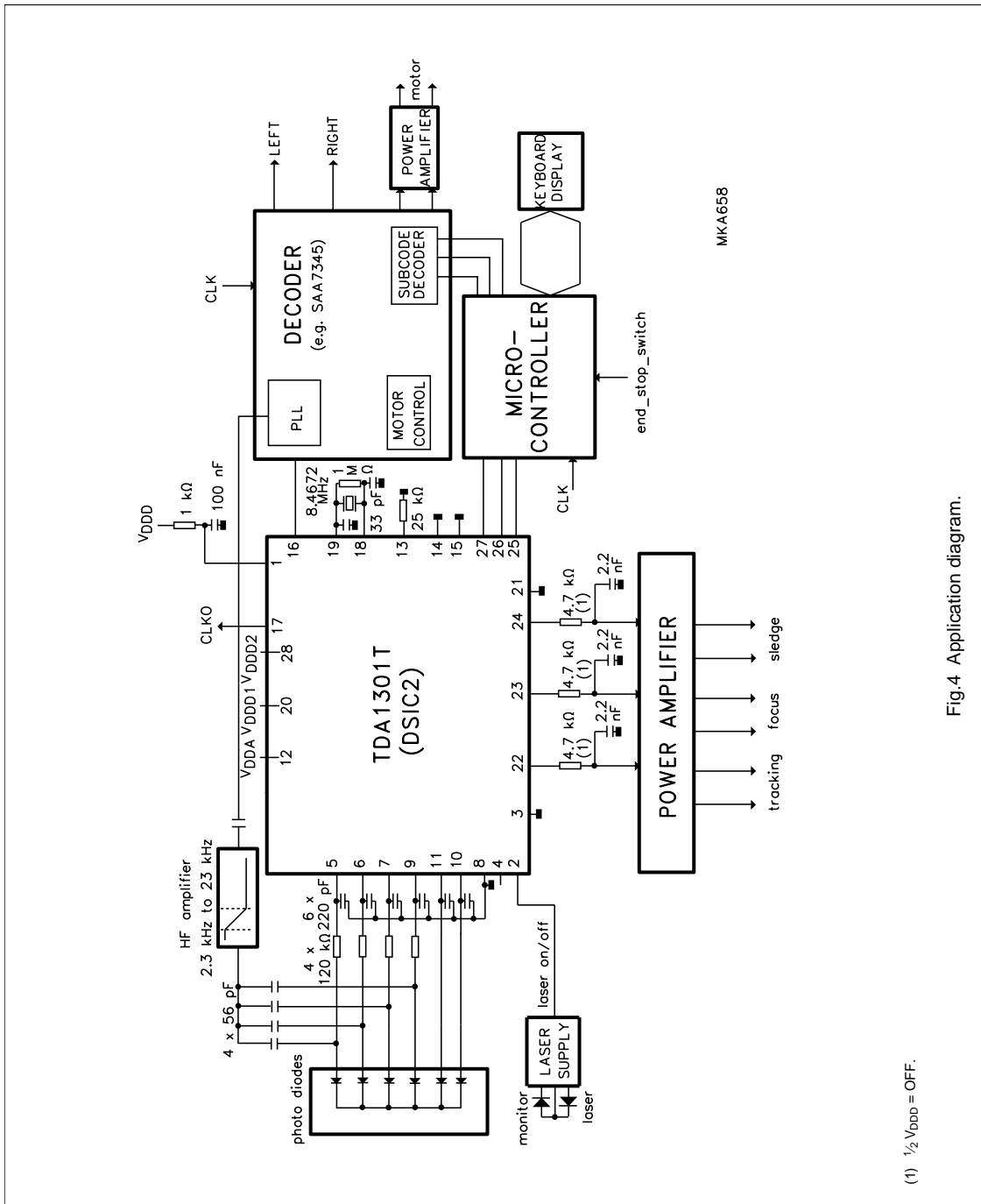
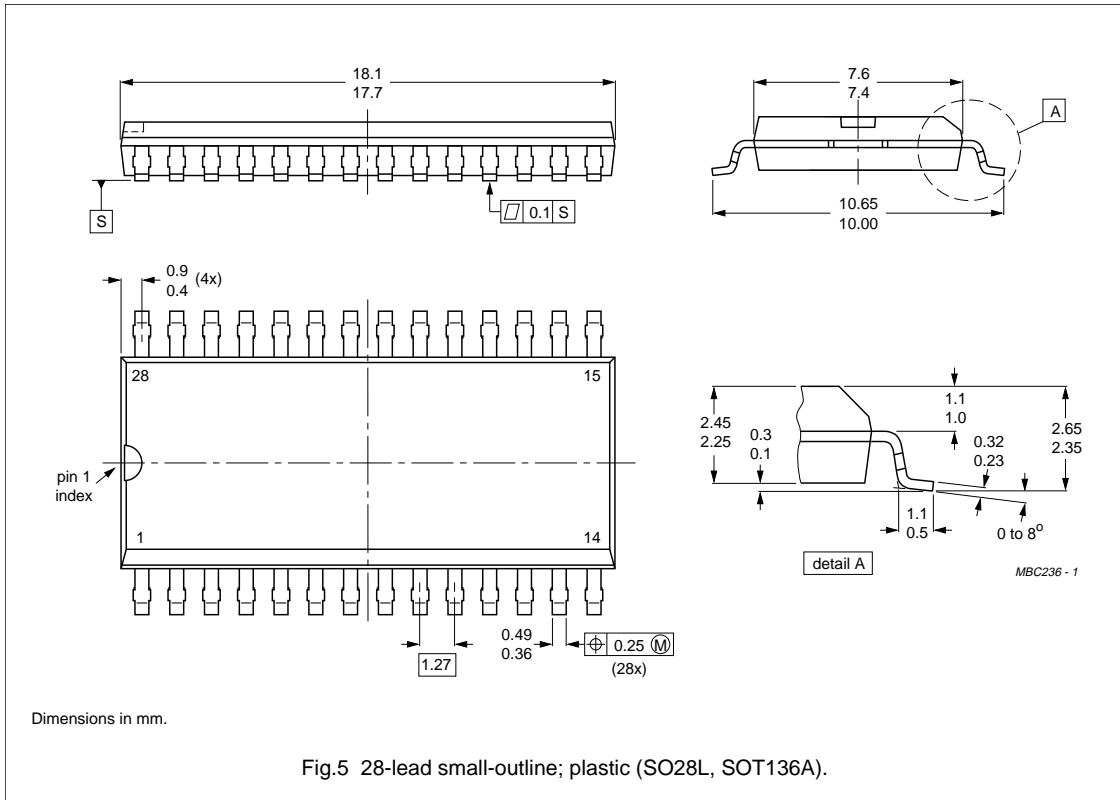


Fig.4 Application diagram.

Digital servo processor (DSIC2)

TDA1301T

PACKAGE OUTLINE



Digital servo processor (DSIC2)

TDA1301T

SOLDERING**Plastic small-outline packages**

BY WAVE

During placement and before soldering, the component must be fixed with a droplet of adhesive. After curing the adhesive, the component can be soldered. The adhesive can be applied by screen printing, pin transfer or syringe dispensing.

Maximum permissible solder temperature is 260 °C, and maximum duration of package immersion in solder bath is 10 s, if allowed to cool to less than 150 °C within 6 s. Typical dwell time is 4 s at 250 °C.

A modified wave soldering technique is recommended using two solder waves (dual-wave), in which a turbulent wave with high upward pressure is followed by a smooth laminar wave. Using a mildly-activated flux eliminates the need for removal of corrosive residues in most applications.

BY SOLDER PASTE REFLOW

Reflow soldering requires the solder paste (a suspension of fine solder particles, flux and binding agent) to be applied to the substrate by screen printing, stencilling or pressure-syringe dispensing before device placement.

Several techniques exist for reflowing; for example, thermal conduction by heated belt, infrared, and vapour-phase reflow. Dwell times vary between 50 and 300 s according to method. Typical reflow temperatures range from 215 to 250 °C.

Preheating is necessary to dry the paste and evaporate the binding agent. Preheating duration: 45 min at 45 °C.

REPAIRING SOLDERED JOINTS (BY HAND-HELD SOLDERING IRON OR PULSE-HEATED SOLDER TOOL)

Fix the component by first soldering two, diagonally opposite, end pins. Apply the heating tool to the flat part of the pin only. Contact time must be limited to 10 s at up to 300 °C. When using proper tools, all other pins can be soldered in one operation within 2 to 5 s at between 270 and 320 °C. (Pulse-heated soldering is not recommended for SO packages.)

For pulse-heated solder tool (resistance) soldering of VSO packages, solder is applied to the substrate by dipping or by an extra thick tin/lead plating before package placement.

DEFINITIONS

Data sheet status	
Objective specification	This data sheet contains target or goal specifications for product development.
Preliminary specification	This data sheet contains preliminary data; supplementary data may be published later.
Product specification	This data sheet contains final product specifications.
Limiting values	
Limiting values given are in accordance with the Absolute Maximum Rating System (IEC 134). Stress above one or more of the limiting values may cause permanent damage to the device. These are stress ratings only and operation of the device at these or at any other conditions above those given in the Characteristics sections of the specification is not implied. Exposure to limiting values for extended periods may affect device reliability.	
Application information	
Where application information is given, it is advisory and does not form part of the specification.	

LIFE SUPPORT APPLICATIONS

These products are not designed for use in life support appliances, devices, or systems where malfunction of these products can reasonably be expected to result in personal injury. Philips customers using or selling these products for use in such applications do so at their own risk and agree to fully indemnify Philips for any damages resulting from such improper use or sale.